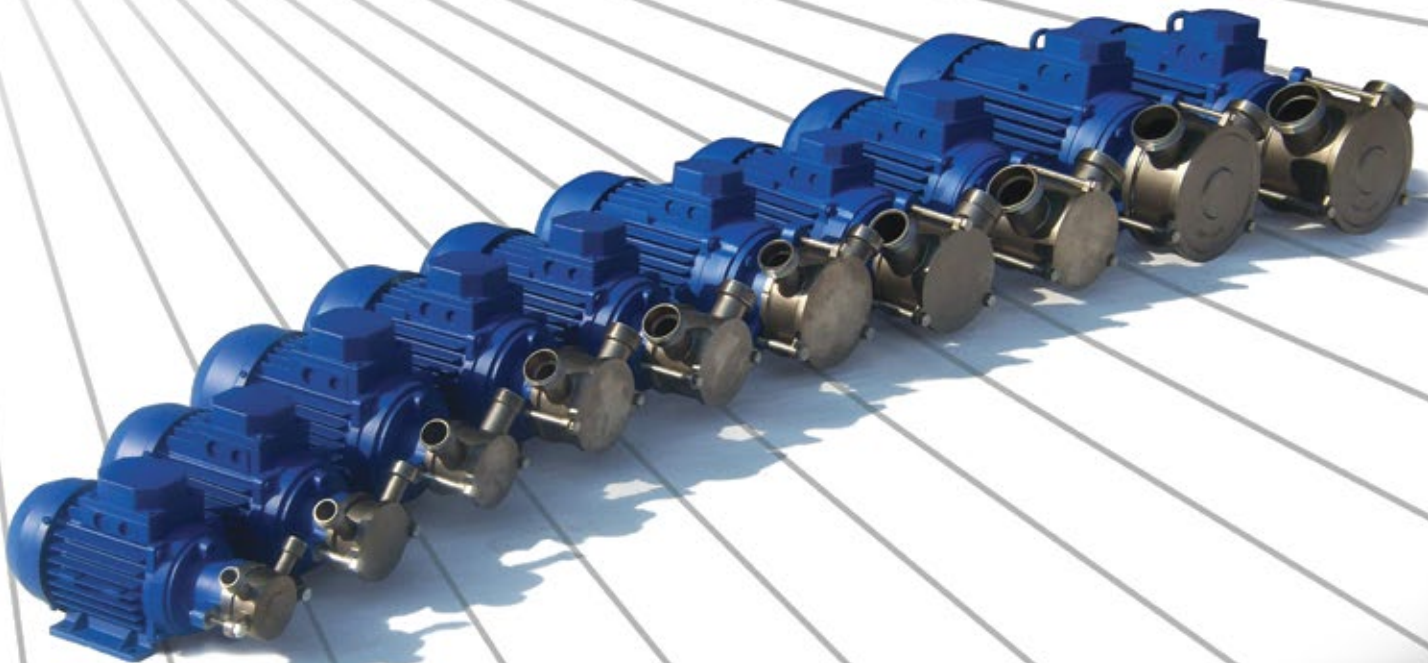


MAG self priming pumps
with flexible impeller are fast
and easy to operate



Distributors

Self-priming AISI 304 and 316L stainless steel pumps with flexible impeller for thick or thin liquids.

The main characteristic of these pumps is robustness, due to the production process, i.e. the fusion of stainless steel. The total absence of junction or welding points gives them a high resistance against corrosion and abrasion.

The inside is 4-5 mm thick and the surface is smooth.

MAG pumps are suitable to any industrial sector and are ideal to move liquids without forming emulsions.

They immediately prime up to 4-5 meters. Pumping can be done in both senses of rotation.

They move fluid and dense liquids with solid bodies.

Rounds **1400, 900, 700** r.p.m.

At low speed **550, 350** r.p.m.

Some good reasons to use MAG pumps:

- Easy to use.
- Bottom valve is not necessary.
- Pump need not to be filled.
- Easy to disassemble and clean.
- Robust.
- No maintenance required.
Dismountable by anyone with a wrench.



Flexible impeller

In gum **CR (Neoprene)**, in **NBR (Nitril)**, in **EPDM (Dutral)** and in **VMQ (Silicone)**, based on the product to be pumped.

The impellers are temperature-resistant over 150°C.

Impeller in VMQ (Silicone)

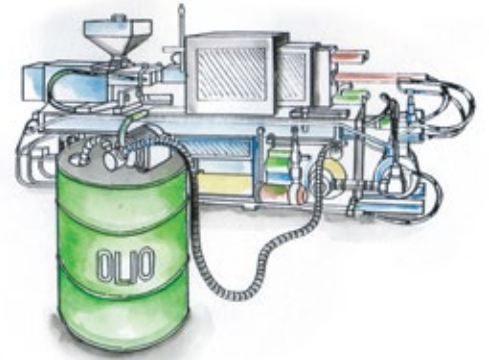
Suitable for food, based on Italian law **DM21/03/73**.

Pumps are provided with an electrical motor, degree of efficiency **IE1/S3**, in compliance with CE regulations.

On demand, electrical motors with degree of efficiency **IE2/S1** are available.



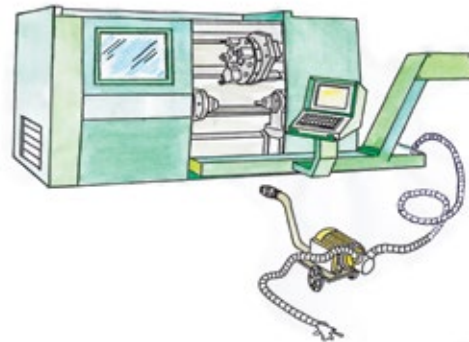
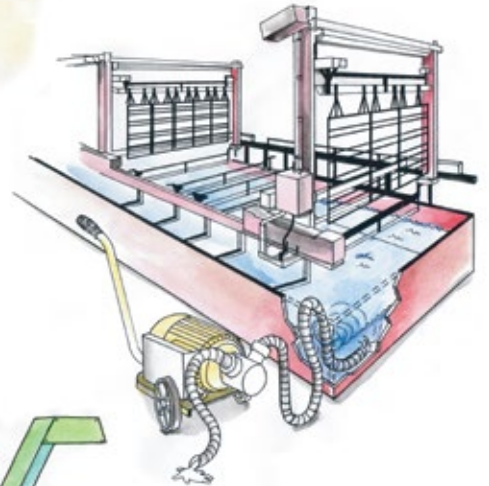
Electric pumps for industrial use resistant to acids and ideal to move substances:



Chemicals
Galvanization
Pharmaceuticals
Mechanics



- Salt water
- Galvanic solutions
- Various acids and alkali
- Inks and dyes
- Latex, H₂O-based glues
- Creams, detergents
- Liquid soaps, shampoos
- Starch, lotions
- Finishes, liquid detergents
- Emulsifiable water
- Plasticizers
- Colorants, oils
- Toothpaste



Conditioning plants

- Industrial wastes
- Mud, acid or base water
- Black water with solids



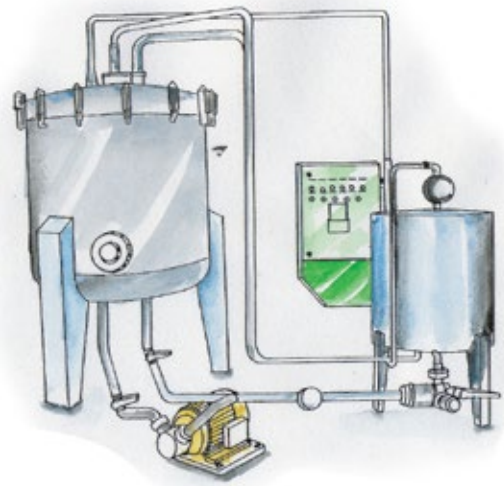
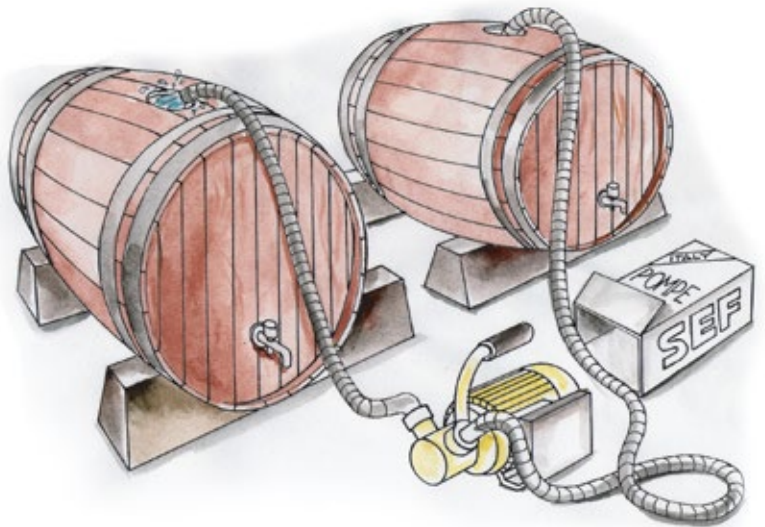
Ecology

- Drainage
- Mineral and vegetal waste oil
- Sludge and sewage
- Photo material
- Liquid disposal

Agricultural purposes

Food products

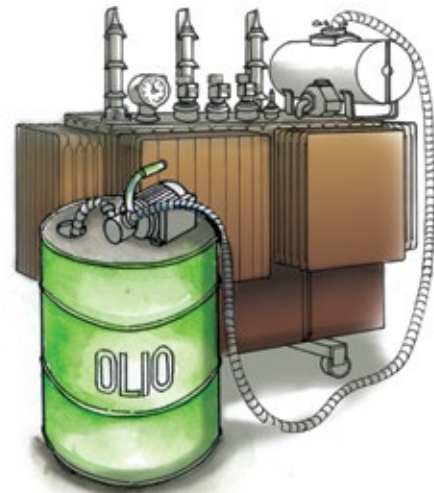
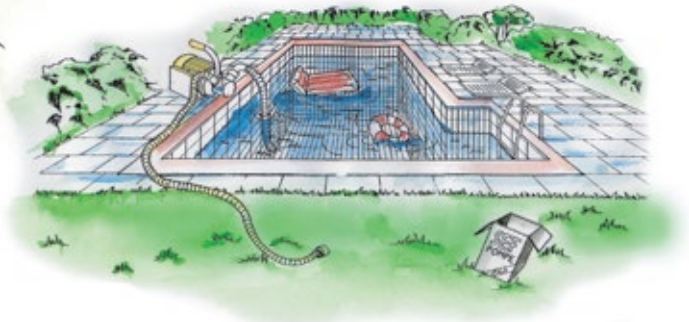
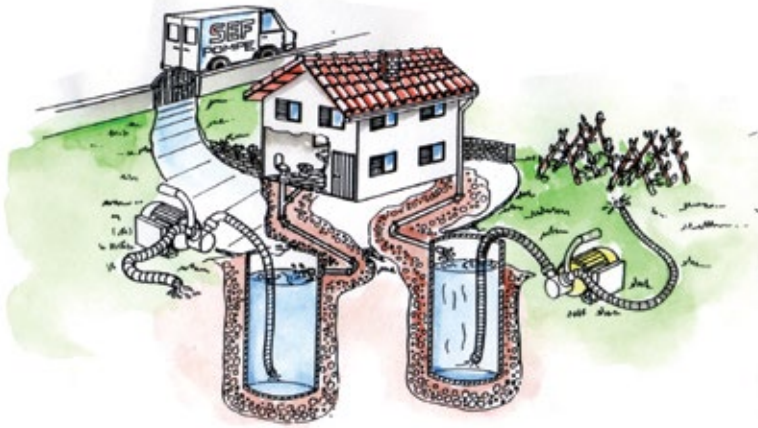
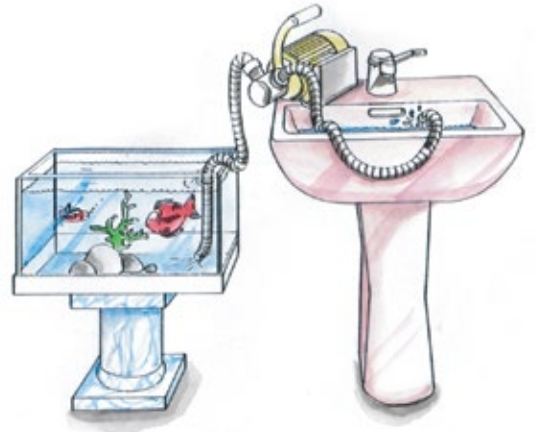
- Wine and concentrated must
- Fruit juice
- Tomato sauce
- Vegetable oils, grease
- Milk, condensed milk
- Whey, yoghurt, cream
- Gelatine, honey, mustard, molasses
- Flavours, beer, liquid sugar
- Extracts and syrups
- Vinegar, liquid egg
- Marmelade and jam
- Skimming yeast from fermentations
- Brines



SERVE-FAN (on demand)

required for cooling down electric motors at low speed (under 700 r.p.m.) for **INVERTER** operation. Electric motor **IE2/S1** to vary speed.





NOTE: do not pump petrol, thinners, solvents or aggressive acids.

MAG PUMP type 11

in stainless steel AISI 304 and 316L

Version A

handle + switch + 5 m cable.

single-phase or three-phase



On demand:

- single-phase or three-phase reverser

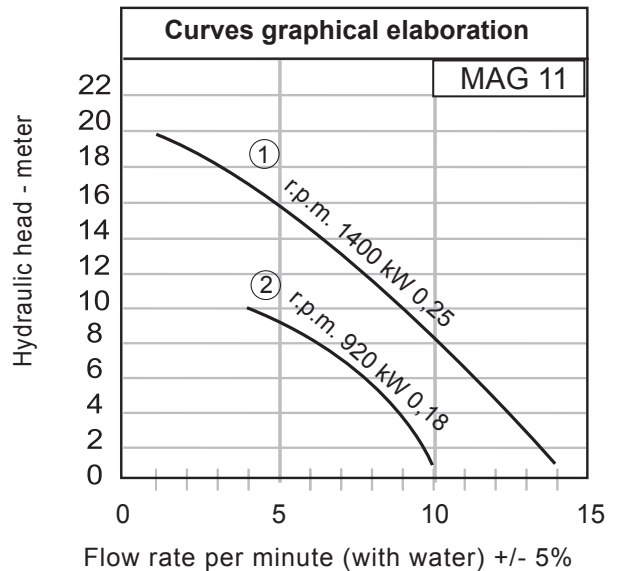
Version C

for single-phase with direct start or

three-phase fixed installation



MAG pumps types						
	MAG TYPE	kW	A	ROUNDS r.p.m.	Kg	OPENINGS (G)
①	11 M4	0,25	2,1	1400	8	1/2"
	11 T4		0,9			
②	11 M6	0,18	2	920	9	
	11 T6		1,1			
M= Single-phase 230 volt 50 hz						
T= Three-phase 400 volt 50 hz						
r.p.m. 920 dBA 15					r.p.m. 1400 dBA 20	



MAG PUMP type 22

in stainless steel AISI 304 and 316L

Version A

handle + switch + 5m cable.
single-phase or three-phase



Version B

truck + switch + 5m cable
single-phase or three-phase



On demand:

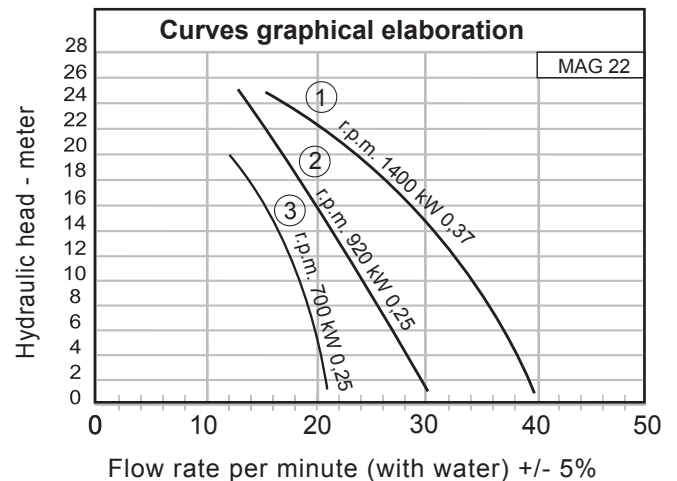
- single-phase or three-phase reverser

Version C

for single-phase with direct start
and three-phase fixed installation



MAG pumps types						
	MAG TYPE	kW	A	ROUNDS r.p.m.	Kg	OPENINGS (G)
①	22 M4	0,37	3,2	1400	9,5	3/4"
	22 T4		1,2			
②	22 M6	0,25	2	920	10	
	22 T6		1,1			
③	22 T8	0,25	1,3	700		
M= Single-phase 230 volt 50 hz T= Three-phase 400 volt 50 hz						
r.p.m.700 dBA33		r.p.m.920 dBA44		r.p.m.1400 dBA55		



MAG PUMP type 33

in stainless steel AISI 304 and 316L

Version A

handle + switch+ 5m cable.
single-phase or three-phase



Version B

truck + switch+ 5m cable
single-phase or three-phase



On demand:

- single-phase or three-phase reverser

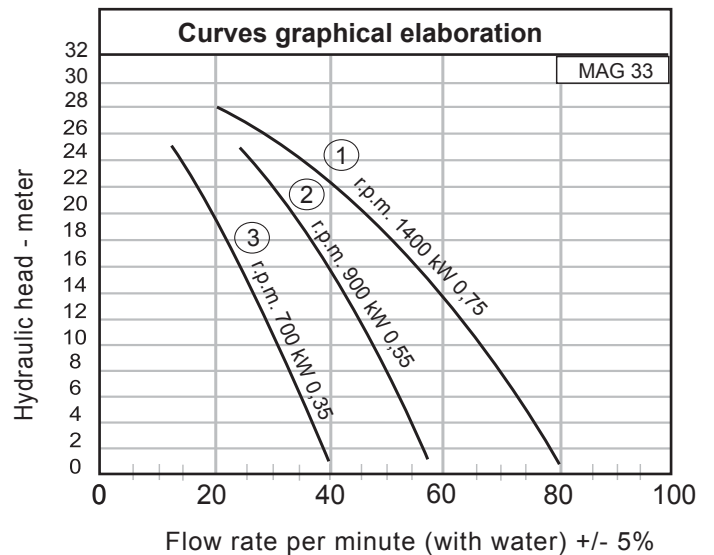


Version C

for single-phase with direct start or three-phase fixed installation



MAG pumps types						
	MAG TYPE	kW	A	ROUNDS r.p.m.	Kg	OPENINGS (G)
①	33 M4 33 T4	0,75	6	1400	12,5	1"
			2,1			
②	33 M6 33 T6	0,55	4,5	920	13	
			2,1			
③	33 T8	0,35	1,8	700		
M= Single-phase 230 volt 50 hz T= Three-phase 400 volt 50 hz						
r.p.m.700 dBA36 r.p.m.920 dBA48 r.p.m.1400 dBA60						



MAG PUMP type 44

in stainless steel AISI 304 and 316 L

Version A

handle + switch + 5m cable.
single-phase or three-phase



Version B

truck + switch + 5m cable
single-phase or three-phase



On demand:

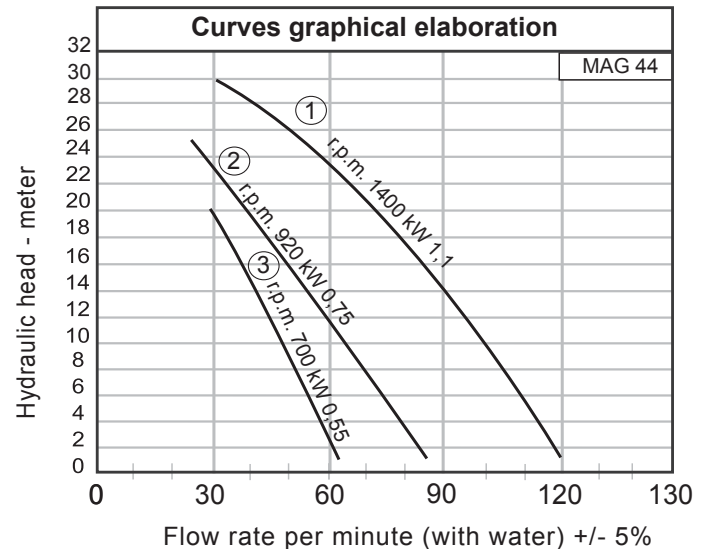
- single-phase or three-phase reverser

Version C

for single-phase with direct start or three-phase fixed installation



MAG pumps types						
	MAG TYPE	kW	A	ROUNDS r.p.m.	Kg	OPENINGS (G)
①	44 M4 44 T4	1,1	7,8 3	1400	16,5	1 1/4"
②	44 M6 44 T6	0,75	5 2,5	920	17	
③	44 T8	0,55	2,4	700		
M= Single-phase 230 volt 50 hz T= Three-phase 400 volt 50 hz						
r.p.m.700 dBA39 r.p.m.920 dBA52 r.p.m.1400 dBA65						



MAG PUMP type 55

in stainless steel AISI 304 and 316L

Version A

handle + switch + 5m cable.
single-phase or three-phase



Version B

truck + switch + 5m cable
single-phase or three-phase



On demand:

- single-phase or three-phase reverser

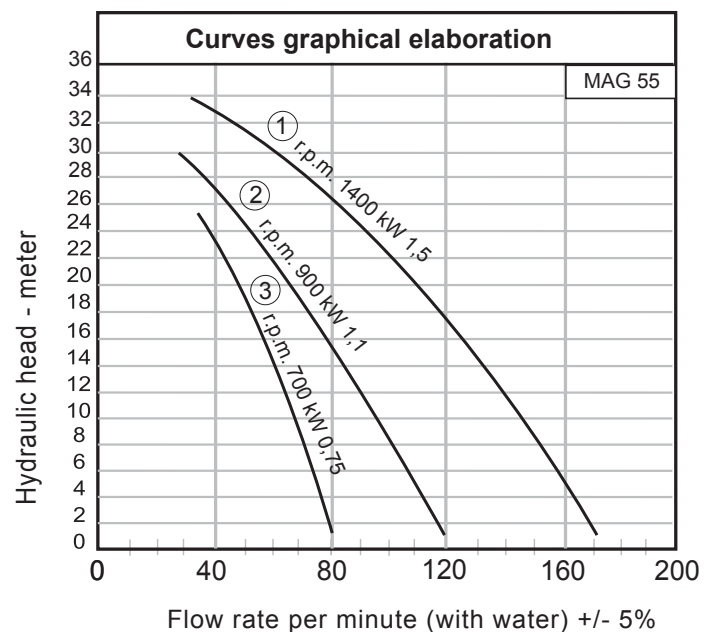


Version C

for single-phase with direct start or
three-phase fixed installation



MAG pumps types						
	MAG TYPE	kW	A	ROUNDS r.p.m.	Kg	OPENINGS (G)
①	55 M4	1,5	10,5	1400	19	1 1/2"
	55 T4		4			
②	55 M6	1,1	7,5	920	20	
	55 T6		3,6			
③	55 T8	0,75	2,7	700		
M= Single-phase 230 volt 50 hz T= Three-phase 400 volt 50 hz						
r.p.m.700 dBA42 r.p.m.920 dBA56 r.p.m.1400 dBA70						



MAG PUMP type 62

in stainless steel AISI 304 and 316L

Version B

truck + switch
+ 10m cable

three-phase or single-phase



On demand:

- three-phase reverser

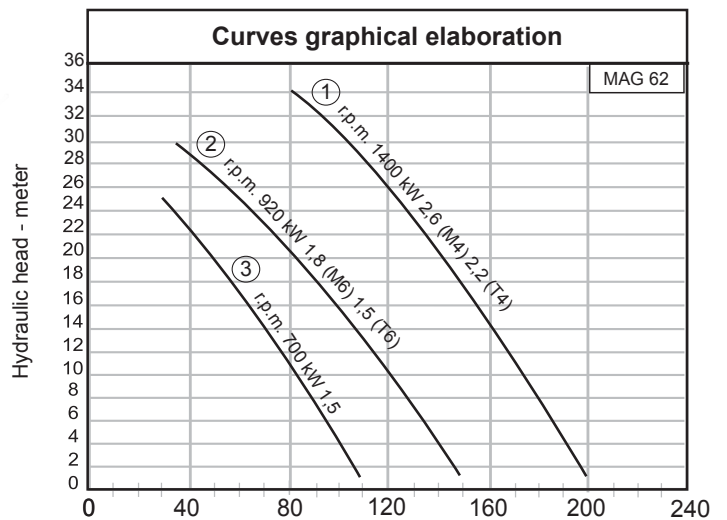


Version C

for three-phase fixed installation



MAG pumps types						
	MAG TYPE	kW	A	ROUNDS r.p.m.	Kg	OPENINGS (G)
①	62 M4	2,6	17	1400	30	1 1/2"
	62 T4	2,2	6			
②	62 M6	1,8	12	920	31	
	62 T6	1,5	4,8			
③	62 T8	1,5	5	700		
M= Single-phase 230 volt 50 hz T= Three-phase 400 volt 50 hz						
r.p.m.700 dBA44		r.p.m.920 dBA60		r.p.m.1400 dBA75		



MAG PUMP type 66

in stainless steel AISI 304 and 316L

Version B

truck + switch
+ 10m cable
three-phase or single-phase



On demand:

- three-phase reverser

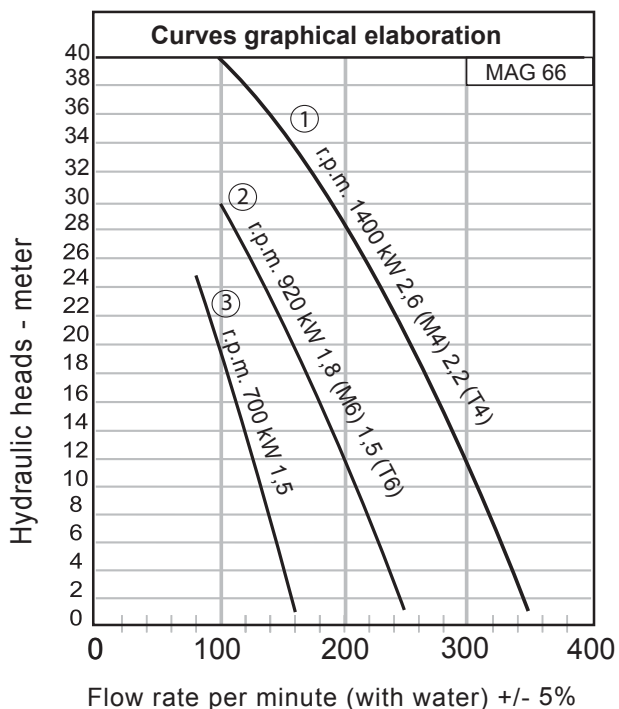


Version C

for three-phase fixed installation



MAG pumps types						
	MAG TYPE	kW	A	ROUNDS r.p.m.	Kg	OPENINGS (G)
①	66 M4	2,6	17	1400	32	2"
	66 T4	2,2	6			
②	66 M6	1,8	12	920	33	
	66 T6	1,5	4,8			
③	66 T8	1,5	5	700		
M= Single-phase 230 volt 50 hz T= Three-phase 400 volt 50 hz						
r.p.m.700 dBA48		r.p.m.920 dBA64		r.p.m.1400 dBA80		



MAG PUMP type 77

in stainless steel AISI 304 and 316L

Version B

truck + switch
+ 10m cable
three-phase



On demand:

- three-phase reverser

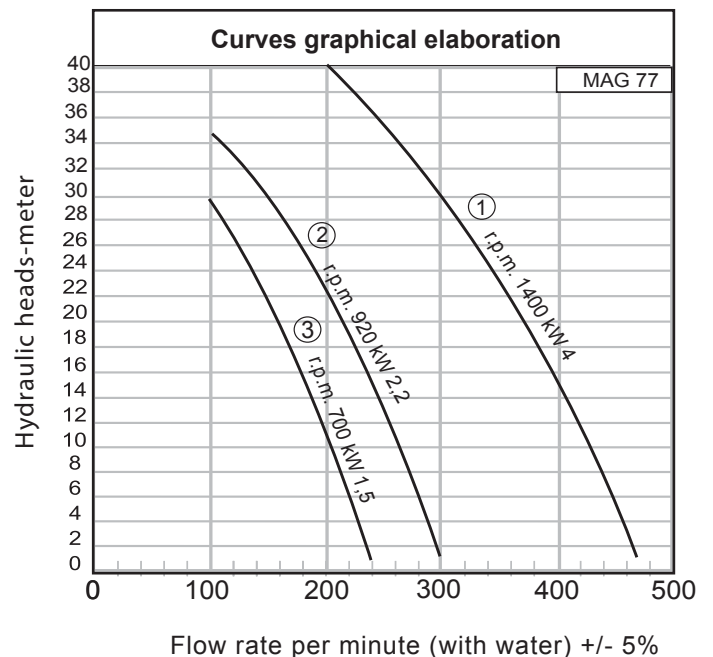


Version C

for three-phase fixed installation



MAG pumps types						
	MAG TYPE	kW	A	ROUNDS r.p.m.	Kg	OPENINGS (G)
①	77 T4	4	10	1400	40	2 1/2"
②	77 T6	2,2	5,6	920	41	
③	77 T8	1,5	5	700		
T= Three-phase 400 volt 50 hz						
r.p.m.700 dBA50		r.p.m.920 dBA66		r.p.m.1400 dBA82		



MAG PUMP type 88

in stainless steel AISI 304 and 316L

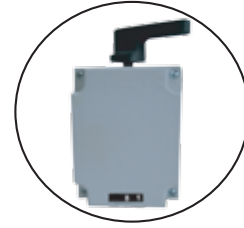
Version B

truck + switch
+ 10m cable
three-phase



On demand:

- three-phase reverser

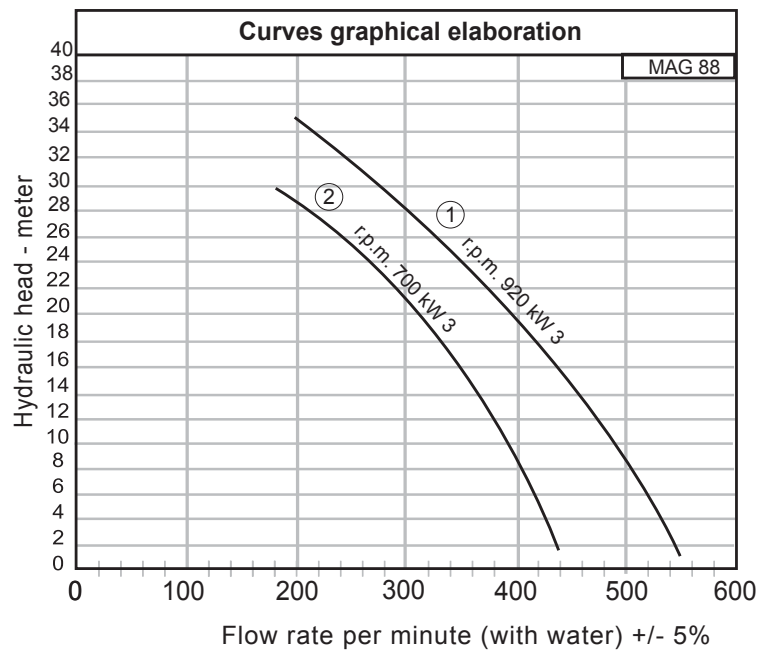


Version C

for three-phase fixed installation



MAG pumps types						
	MAG TYPE	kW	A	ROUNDS r.p.m.	Kg	OPENINGS (G)
①	88 T6	3	7,3	920	60	2 1/2"
②	88 T8		9	700	60	
T= Three-phase 400 volt 50 hz						
r.p.m. 700 dBA 55 r.p.m. 920 dBA 70						



MAG PUMP type 99

in stainless steel AISI 304 and 316L

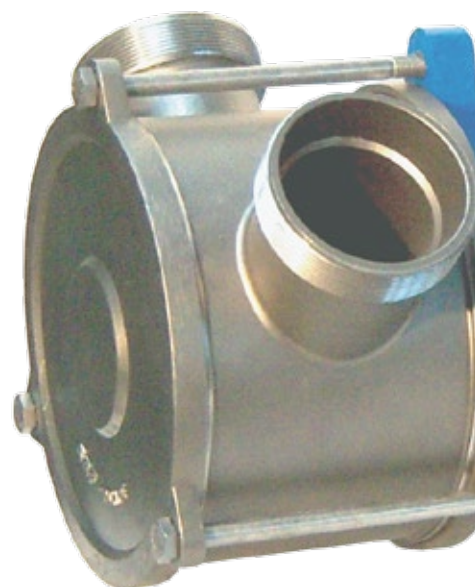
Version B

truck + switch
+ 10m cable
three-phase



On demand:

- three-phase reverser

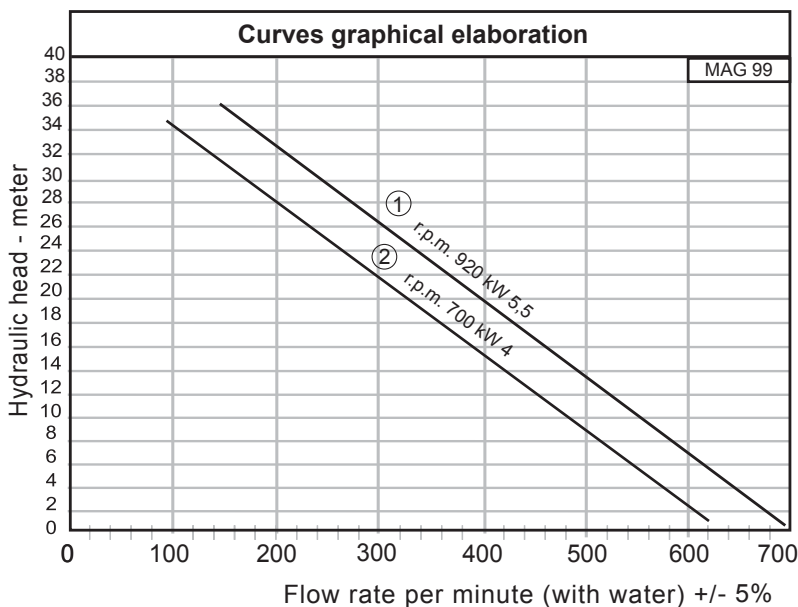


Version C

for three-phase fixed installation



MAG pumps types						
	MAG TYPE	kW	A	ROUNDS r.p.m.	Kg	OPENINGS (G)
①	99 T6	5,5	13	920	68	3"
②	99 T8	4	10,5	700	68	
T= Three-phase 400 volt 50 hz						
r.p.m. 700 dBA 60			r.p.m. 900 dBA 65			



Version BG at low speed

With truck and reverser,
10 m cable.

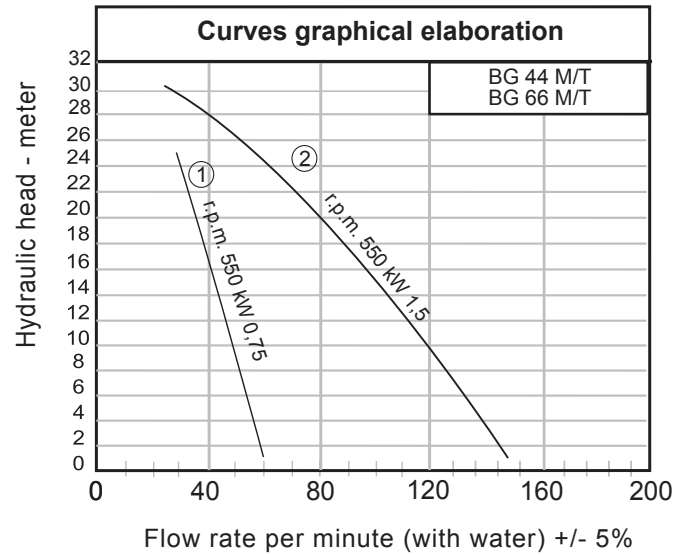
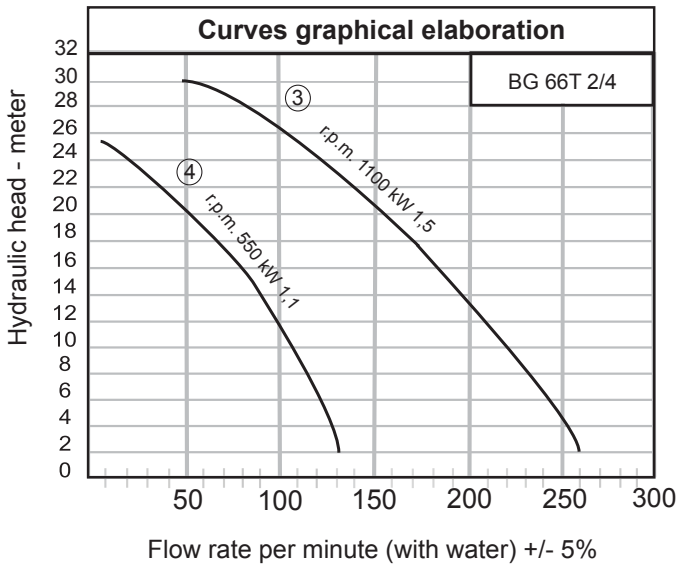
Single-phase or three-phase.

IDEAL

for fragile, fluid and dense products.
Rounds 550.

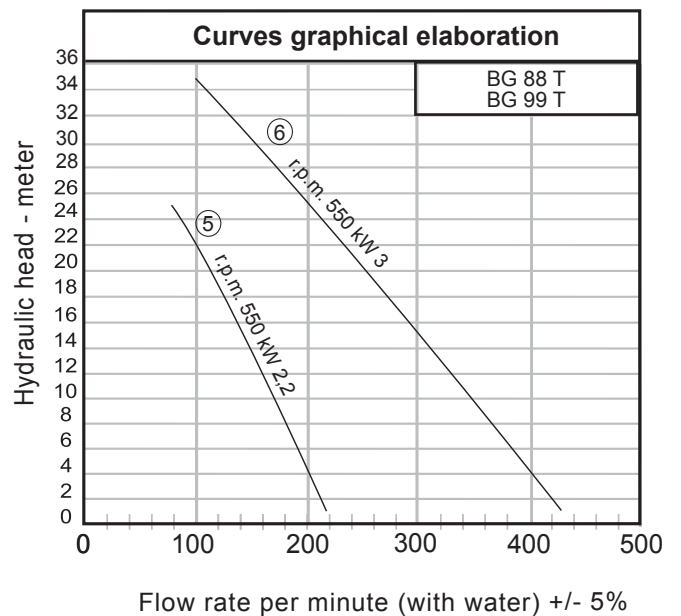
On demand:

- rounds 350
- dual speed 550/1100

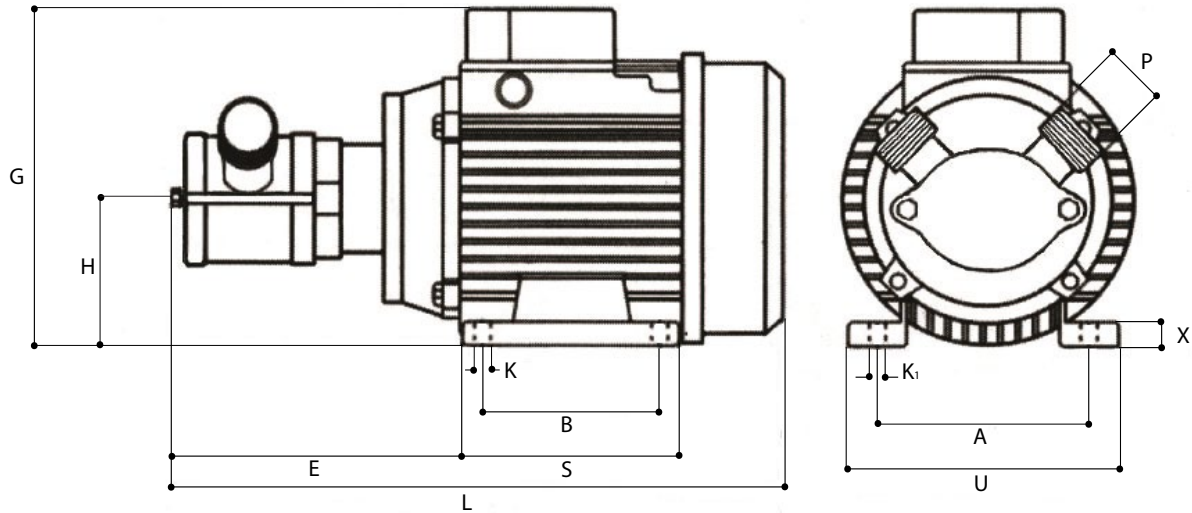


Electric pumps version BG				
	MAG TYPE	kW	A	ROUNDS r.p.m.
①	BG 44M	0,75	6	550
	BG 44T		2,2	
②	BG 66M	1,5	8	550
	BG 66T		4	
③	BG 66 T 2/4	1,5	3,8	1100
④		1,1	3,2	550
⑤	BG 88T	2,2	6	550
⑥	BG 99T	3	7,5	550

M= single-phase 230 volt 50 Hz
T= three-phase 400 volt 50 Hz

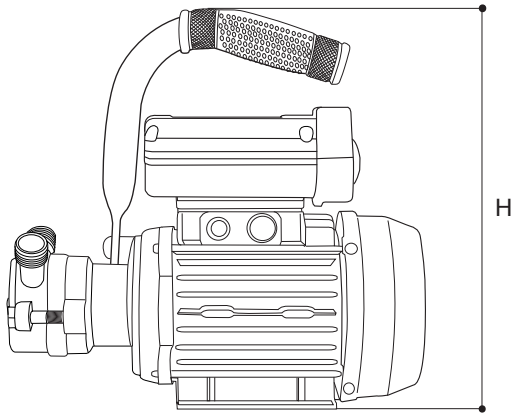


Sizes of self-priming electric pumps, in stainless steel AISI 304 and AISI 316 L with flexible impeller - IE1/S3 electric motors



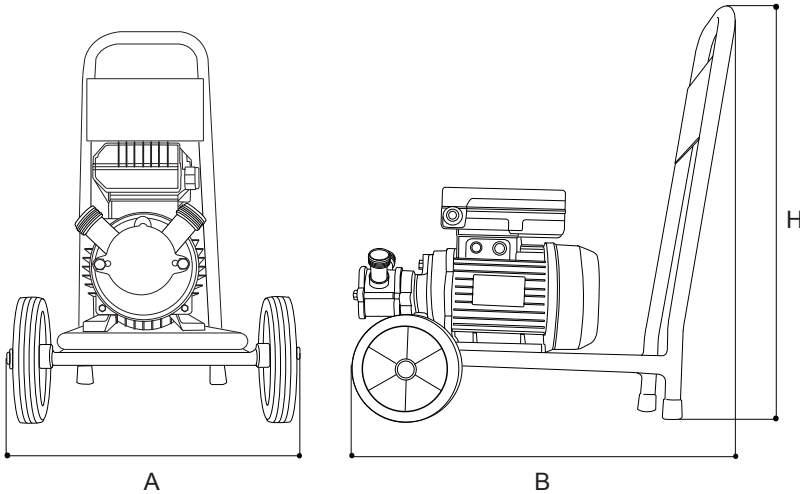
TYPE	RPM	H	A	U	B	S	E	L	K	K ₁	X	G	P
11	1400	63	100	120	80	100	100	265	7	10	7	155	1/2"
11	920	71	112	135	90	112	110	290	7	11	8	172	
22	1400 920	71	112	135	90	112	115	295	7	11	8	172	3/4"
22	700	80	125	153	100	125	115	315	9	13	12	210	
33	1400 920 700	80	125	153	100	125	135	340	9	13	12	210	1"
44	1400 920 700	90	140	170	100	130	140	360	10	13	13	220	1" 1/4
55	1400 920 700	90	140	170	125	155	155	400	10	13	13	220	1" 1/2
62	1400 920 700	100	160	192	140	170	165	425	12	17	14	245	1" 1/2
66	1400 920 700	100	160	192	140	170	190	450	12	17	14	245	2"
77	1400 920 700	112	190	220	140	182	210	500	13	17	14	270	2" 1/2
88	920	132	216	260	140	181	230	550	11	20	16	320	2" 1/2
88	700	132	216	260	178	219	230	580	11	20	16	320	2" 1/2
99	700 920	132	216	260	178	219	280	620	11	20	16	320	3"
Technical details are subject to change without notice													

Sizes of self-priming pumps in stainless steel AISI 304 and AISI 316L with flexible impeller and handle



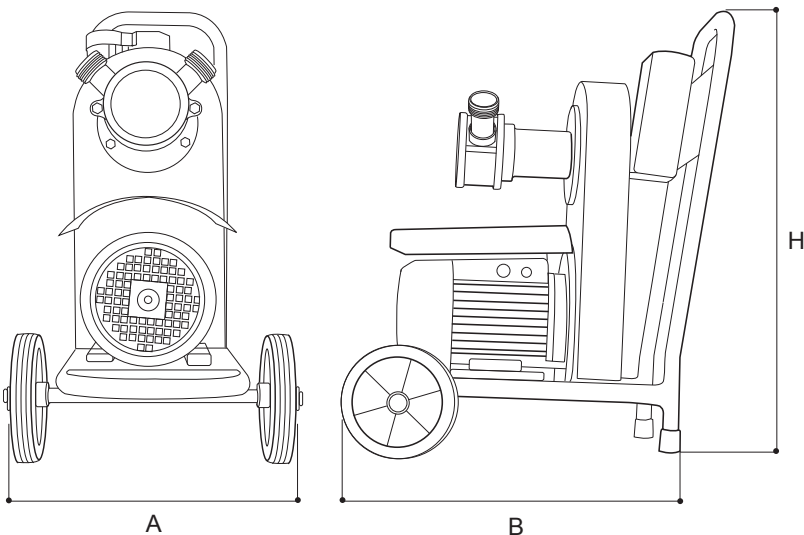
TYPE	H
MAG 11	270
MAG 22	280
MAG 33	300
MAG 44	310
MAG 55	310

Sizes of self-priming pumps in stainless steel AISI 304 and AISI 316L with flexible impeller and truck



TYPE	A	B	H
MAG 22	340	530	600
MAG 33	340	530	600
MAG 44	340	545	600
MAG 55	340	560	600
MAG 62	440	600	600
MAG 66	440	630	600
MAG 77	440	660	600
MAG 88	440	690	600
MAG 99	440	740	600

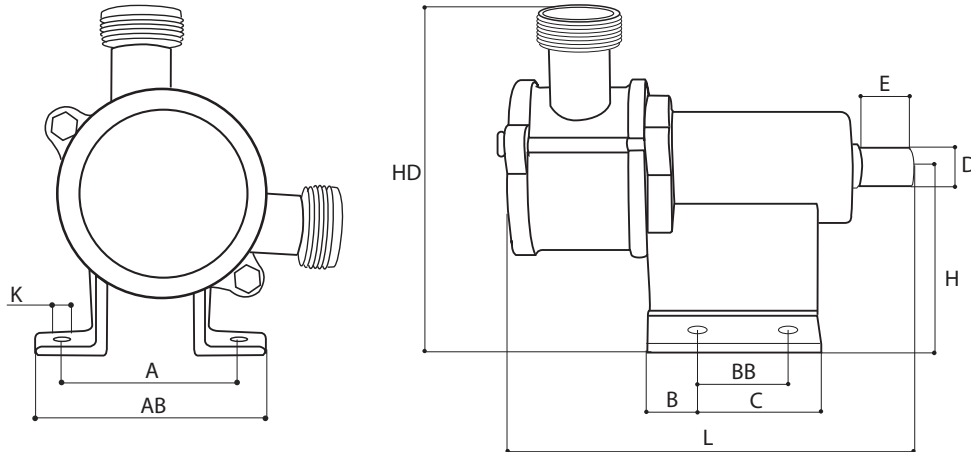
Sizes of low speed pumps BG version



TYPE	A	B	H
BG 44	340	540	600
BG 66	440	650	600
BG 88	440	650	600
BG 99	440	650	600


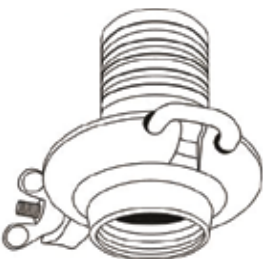
Support type SJ

Pumps in stainless steel AISI 316 IP 55 for functioning with electrical, hydraulic and internal combustion engines.



TYPE	A	AB	B	BB	C	D	E	L	K	H	HD	P
SJ1180	76	100	17	38	71	19	28	165	10	80	135	½"
SJ2280	76	100	17	38	71	19	28	170	10	80	150	¾"
SJ3380	76	100	17	38	71	19	28	190	10	80	150	1"
SJ4490	100	129	28	50	98	24	32	215	10	90	185	1¼"
SJ5590	100	129	28	50	98	24	32	230	10	90	185	1½"
SJ62100	112	137	39	56	112	28	42	280	12	100	225	1½"
SJ66100	112	137	39	56	112	28	42	295	12	100	225	2"
SJ77100	112	137	39	56	112	28	42	325	12	100	225	2½"



Connectors with cam blocking in polypropylene and anti-opening spring		
	Pump type 11	Connector 1/2" x 13
	Pump type 22	Connector 3/4" x 20
	Pump type 33	Connector 1" x 25
	Pump type 44	Connector 1" 1/4 x 30
	Pump type 55	Connector 1" 1/2 x 40
	Pump type 62	Connector 1" 1/2 x 40
	Pump type 66	Connector 2" x 50
	Pump type 77	Connector 2" 1/2 x 60
	Pump type 88	Connector 2" 1/2 x 60
	Pump type 99	Connector 3" x 75
Clamp fittings (garolla type) in stainless steel		
	Pump type 11	Connector 1/2" x 20
	Pump type 22	Connector 3/4" x 20
	Pump type 33	Connector 1" x 25
	Pump type 44	Connector 1" 1/4 x 30
	Pump type 55	Connector 1" 1/2 x 40
	Pump type 62	Connector 1" 1/2 x 40
	Pump type 66	Connector 2" x 50
	Pump type 77	Connector 2" 1/2 x 60
	Pump type 88	Connector 2" 1/2 x 60
	Pump type 99	Connector 3" x 75

ADAPTER DIN 11851



DN 25	1"
DN 32	1" 1/4
DN 40	1" 1/2
DN 50	2"
DN 65	2" 1/2
DN 80	3"

WARNINGS

- **Information about liquid transport are approximate.**

Read the instructions for use to correctly and securely move products.

- **The applications of the impellers pointed out above are not binding.**

Some components in the liquid to be transferred and some conditions of use can damage without remedy the impeller, SEF will not be responsible for this.

In order to transfer acid or basic products, stainless steel AISI 316L is more resistant to corrosion than stainless steel AISI 304.

Several types of acid and basic products in different concentrations are traded, you have to check their chemical compatibility with the materials of the pump and the resistance of stainless steel AISI 304 or 316L to them.

With high concentrations of acid or basic in solution, some chemicals reactions take place, therefore for them SEF pumps are not suitable. The impellers usually suggested for the transfer of acid and basic liquids are neoprene rubber (CR) and EPDM (Dutral rubber). The electric pumps MAG type must not be used with products and in environments at explosion risk.



SEF reserves the right to modify data without notice to enhance production. Read the instructions for use and maintenance sent with the product.

Translated from the original Italian catalog