

Pipeliners

A cost effective way
to protect pumps reliably



Pumps to process



The existing benefits of Effective Pump Protection with a proven concept, now even more...

- Versatile
- Reliable
- Competitive through lower cost of ownership
- Durable
- Easy to maintain

Benefits

Of the equipment

- lower running costs
- optimal cutting performance
- less power requirement
- higher performance
- fewer spare parts
- easier to maintain
- reduced downtime for routine servicing

For the process

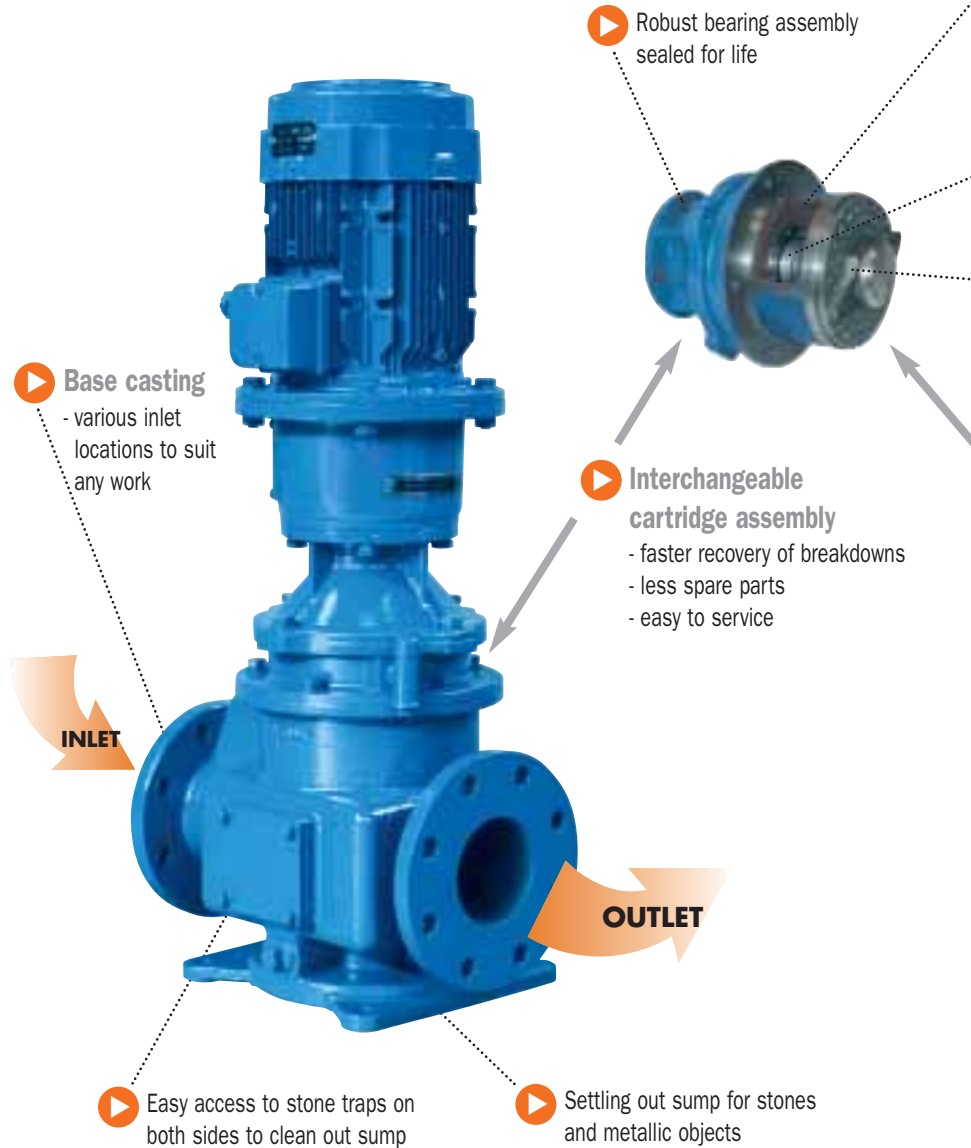
- protection of the pump reliability
- creation of a pre-conditioned medium
- replacement for in-flow grinders

Construction

- body cast iron
- headstock alloy steel
- shearplates alloy steel
- cutters tungsten carbide
- various hole size available for the shearplates

Option

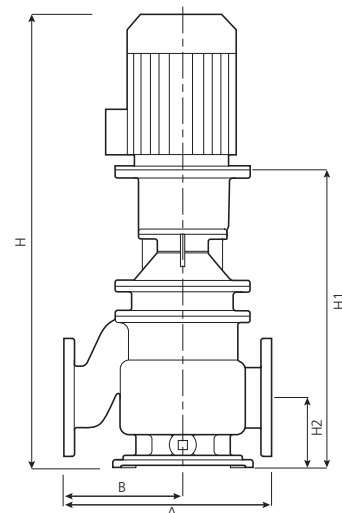
- headstock stainless steel
- shearplates stainless steel
- wetted parts stainless steel
- wetted parts austenitic cast iron (for sea water application)



Outer dimensions

Inline entry (code S)

	152 D 15	152 D 20	302 D 30	552 D 30	551 D 40	751 D 40
A	385	385	500	500	640	640
B	220	220	290	290	310	310
C	274	274	-	-	620	620
D	220	220	270	270	500	500
E	220	220	270	270	500	500
F	274	274	320	320	540	540
G	260	260	320	320	540	540
H	826.5	870.5	1102	1140	-	1434
H1	554.5	554.5	730	730	800	800
H2	132	132	160	160	200	200
DN inlet	100	100	150	150	200	200
DN outlet	100	100	150	150	200	200
Weight (kg)	-	-	-	-	-	390



Pump protection for all water works

▶ Precision mechanical seal running in oil bath

▶ Stainless steel sleeving fully protects shaft from medium

▶ **Spring mechanism**

- new cutter assembly
- self compensating mechanism
- double protection of the spring for longer performance
- smaller assembly

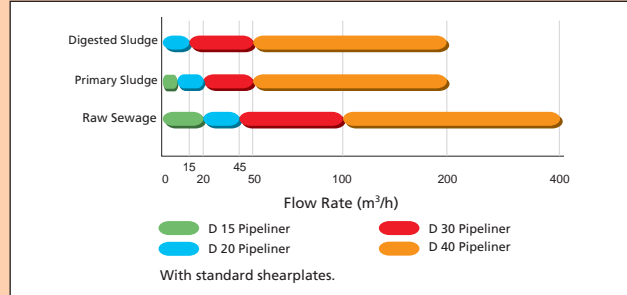
▶ **Shearplate and headstock assembly**

- replaceable on site
- more efficient cutting assembly
- designed for a smoother cut



▶ Rotating headstock with tungsten carbide blades

Performance chart



Selection table

		D 15	D 20	D 30	D 40
Raw Sewage	P (kW)	1.5	1.5	3	5.5
	rpm	1440	960	960	250
	Flow max.	20	45	100	400
Primary Sludge	P (kW)	1.5	1.5	5.5	7.5
	rpm	1440	960	960	460
	Flow max.	10	20	50	200
Digested Sludge	P (kW)	-	1.5	5.5	7.5
	rpm	-	960	960	460
	Flow max.	-	15	50	200

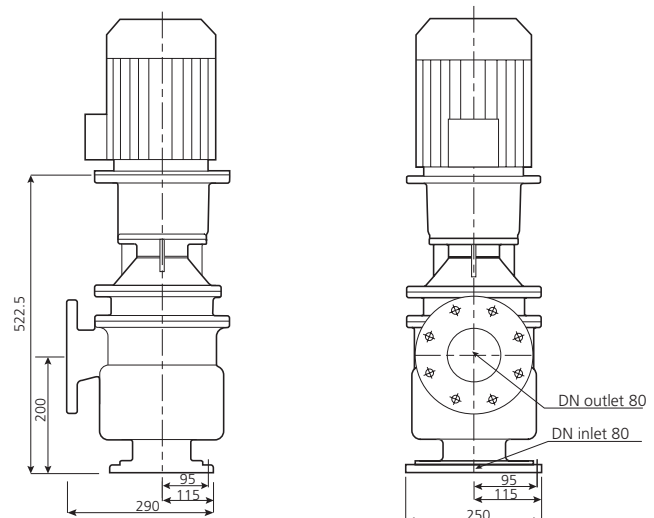
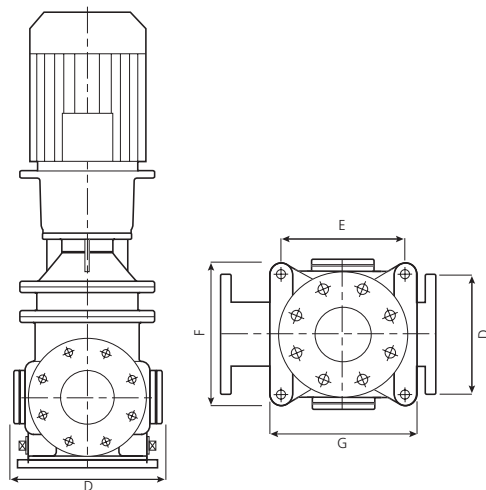
Flow in m³/h

Base selection

		Operation	Code	D 15	D 20	D 30	D 40
Standard base	In line entry	→ □ →	S	✓	✓	✓	✓
	Bottom entry	↑ □ →	SB	✓	✓	✓	
Bottom entry base	Bottom entry	↑ □ →	B	✓	✓		

✓ Available

Bottom entry for D 15 and D 20 (code B)



Applications

Designed to fit with new water plants or as a retro-fit for old pipeliners:

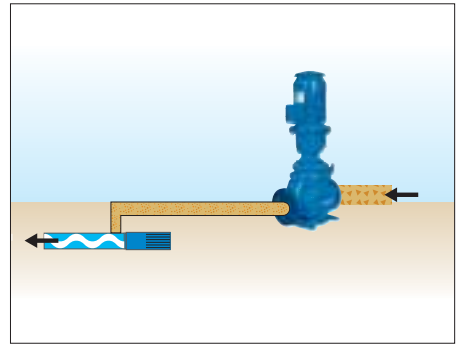
- pump protection from fibres and long particules
- improvement of preconditioning in the primary treatment
- replacement for in-flow grinders
- specially designed for sludge applications
 - primary sludge
 - biological sludge
 - digested sludge

Suitable for other applications

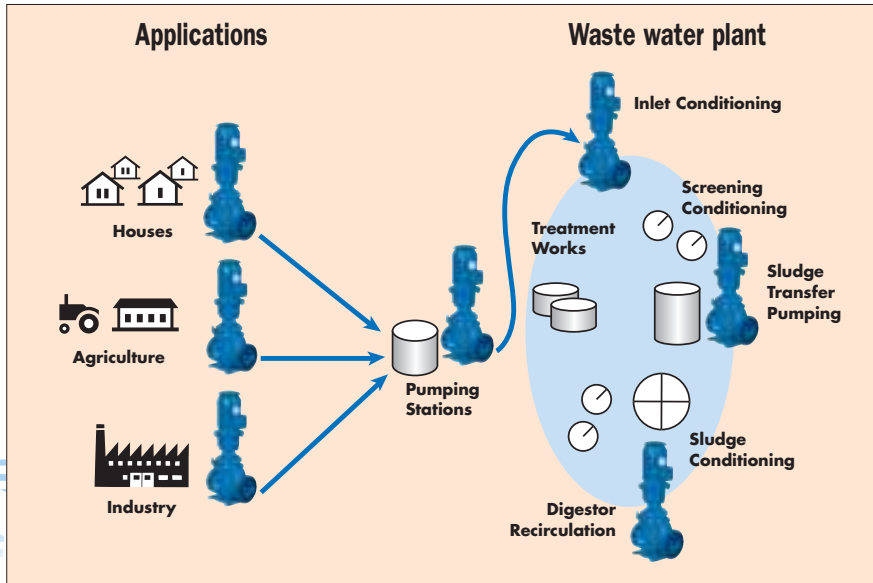
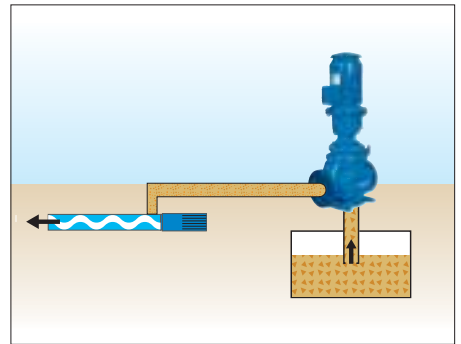
- protection for pumping stations on raw sewage
- maceration and mixing in industries (paper - breweries food - agriculture - oil...)

Typical installations

- In line circulation (ie: recycling of digested sludge)



- Bottom entry for sewage (ie: pumping station)



Sludge recycling: Porto-Freixo and Versailles-Sevesc



Dewatering mobil unit



Pumps to process

Head Office:

PCM POMPES

17 rue Ernest Laval - BP 35

92173 VANVES Cedex

FRANCE

Tel : 33 (0)1 41 08 15 15

Fax : 33 (0)1 41 08 15 00

Internet : www.pcmpompes.com

E-mail : pcm@pcmpompes.com