

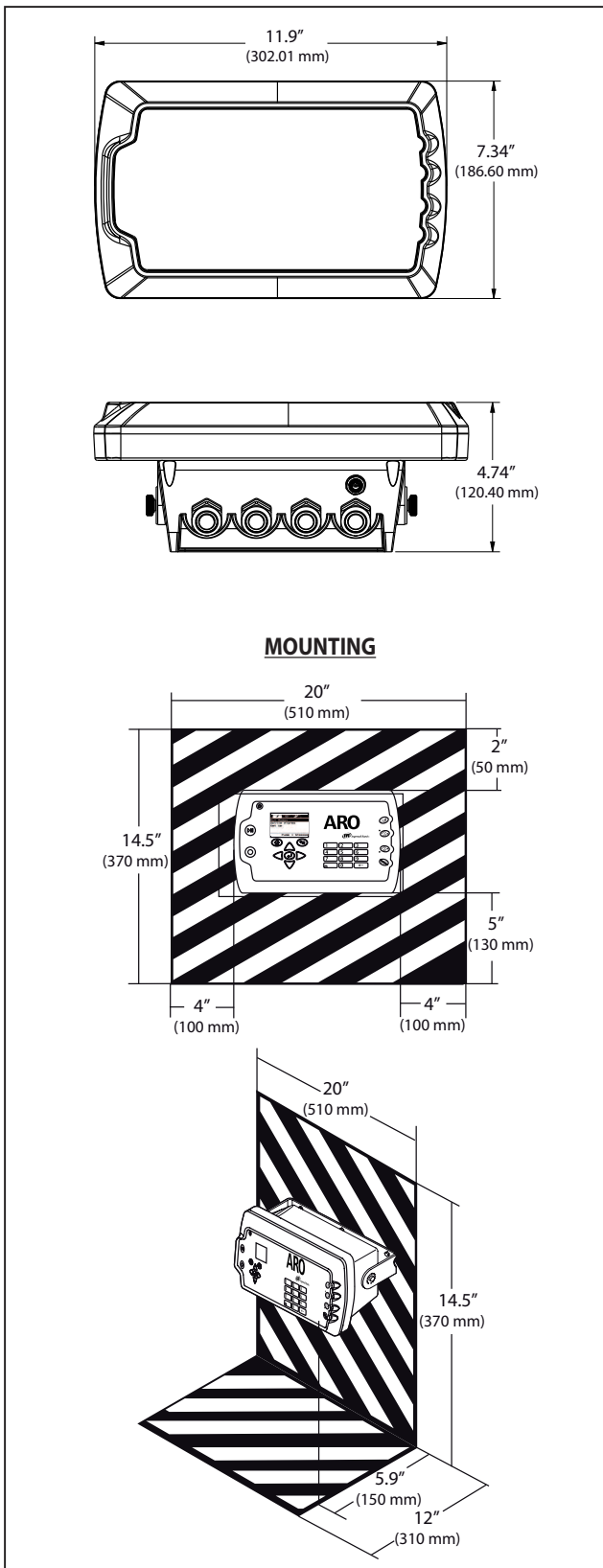
ARO[®]

CONTROLLER

For Air Operated Pumps

RELEASED: 10-30-14
(REV. A) S-1568

DIMENSIONAL DATA



WARNING

Do not dispose of this product with household waste material.

This controller will perform best when controlling ARO pumps from the EXP (expert) series, with the following model numbers:

PEXXX-XXX-XXX-XXXX

- E - End of stroke feedback + leak detection
- F - End of stroke feedback
- D - Solenoid 24VDC, 48 VAC and 44 VAC
- H - Solenoid 24VDC ATEX Zone 1

The Controller is not compatible with ARO pumps with the following part number: PEXXX-XXX-XXX-XXSX, or pumps with the cycle sensing option.

PARTS INFORMATION

Controller	
Description	Model Number
Controller Kit - 2 Cables - Americas	651763 -AM-2
Controller Kit - 2 Cables - EMEIA	651763 -EM-2
Controller Kit - 2 Cables - AP	651763 -AP-2
Controller Kit - 1 Cable - Americas	651763 -AM-1
Controller Kit - 1 Cable - EMEIA	651763 -EM-1
Controller Kit - 1 Cable - AP	651763 -AP-1
Controller Kit - No Cables - Americas	651763 -AM-0
Controller Kit - No Cables - EMEIA	651763 -EM-0
Controller Kit - No Cables - AP	651763 -AP-0

Power Cords available	
Description	PN
Power Cord, Brazil	BC1120-CORD-BR
Power Cord, North America	BC10-CORD-US
Power Cord, China	BC10-CORD-CN
Power Cord, South Korea	BC10-CORD-SK
Power Cord, EU	BC10-CORD-EU
Power Cord, India	BC10-CORD-IN
Power Cord, UK, Singapore, HK	BC10-CORD-UK

Spare Parts	
Description	Part Number
Assembly, Cable	47517818001
Power supply	47517834001
Certification Label	47520295001
Hardware Kit	47524248001

SPECIFICATIONS

External Power Supply	
V _{in}	90 – 264 VAC
V _{out}	24 VDC (± 5%)
I _{out}	3A

Controller Power Requirements	
V	12 - 30 VDC
I	100 mA @ 24 VDC (no load condition)
	1 A @ 24 VDC (max load condition)

Controller I/O		
I/O	Rating	Qty
Digital inputs	24 VDC	13
Digital outputs	24 VDC	6
Analog inputs	4 - 20 mA	2
Analog Outputs	4 - 20 mA	2

Recommended cable: 18 AWG, 00V, stranded, insulated.
Maximum length: 192" (4.8 m).

Inputs		
Description	Pump 1	Pump 2
Leak detection	Y	Y
End of stroke	Y	Y
Container empty	Y	Y
Container full	Y	Y
Remote batch A start	Y	Y
Remote batch B start	Y	Y
E-stop	Y	
Analog input	Y	Y

Outputs		
Description	Pump 1	Pump 2
Solenoid actuation	Y	Y
External alarm	Y	Y
Analog output	Y	Y

External alarm contact rated at 120 VAC / 24 VDC, 2A, resistive only.

Environmental Conditions	
Description	Pump 1
Operating Temperature Range	-4 °F to 158 °F (-20 °C to 70 °C)
Storage temperature range	-22 °F to 176 °F (-0 °C to 80 °C)
Maximum Relative humidity	90% non-condensing

CERTIFICATIONS

Conforms to UL Stds 61010-1 & 61010-2-201
Certified to CSA Std C22.2 No. 61010-1
Enclosure Type 4X, UL50, UL50E (excepting the external power supply)

For additional Information, Documentation is available for download at arozone.com.

Description	Publication Number
User Manual, Americas	47520296001
User Manual, AP	47523334001
User Manual, EMEIA	47523335001
Safety Manual	47520297001

