

SALES & ENGINEERING DATA

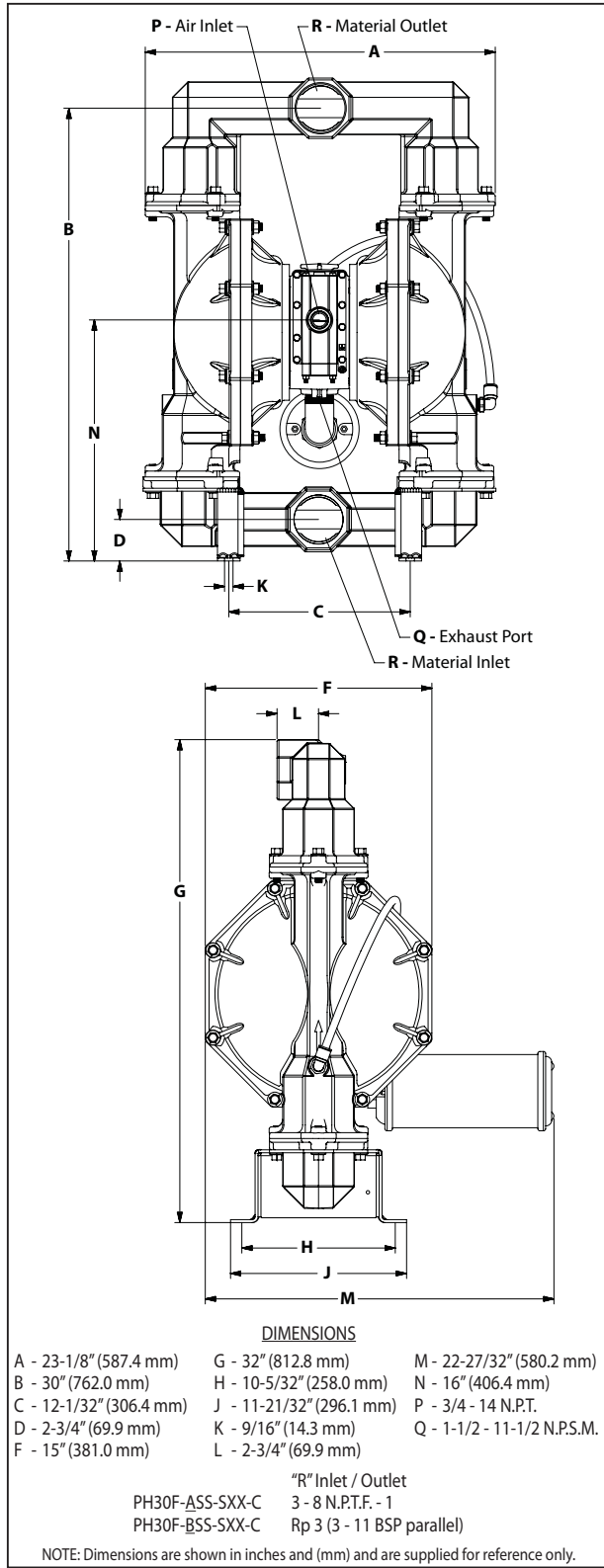
PH30F-XXX-XXX-C 3" Metallic Diaphragm Pump

RATIO SERIES: **2:1**

FLUID P.S.I. RANGE: **10 - 200**

RELEASED: 8-12-08
REVISED: 6-10-10
(REV. 03) S-1441

DIMENSIONAL DATA



SPECIFICATIONS

Model Series	PH30F-XXX-XXX-C
Pump Type	Metallic, air operated, double diaphragm pump
Ratio	2:1
Material Inlet / Outlet (female)	
PH30F-ASS-SXX-C	3 - 8 N.P.T.F. - 1
PH30F-BSS-SXX-C	Rp 3 (3 - 11 BSP parallel)
Air Inlet (female)	3/4 - 14 N.P.T.
Air Exhaust (female)	1-1/2 - 11-1/2 N.P.S.M.
Weight	268 lbs (121.6 kgs)
Air Section Service Kit	637369
Major Air Valve Assembly	637374-6
Fluid Section Service Kit	637441-XX

PH30F - ASS - S - C
637441 -
Diaphragm Material
Ball Material

EXAMPLE: Model #PH30F-ASS-SAA-C
Fluid Section Service Kit # 637441-AA

PERFORMANCE

Air Inlet Pressure Range	10 - 100 p.s.i.g. (0 - 6.9 bar)
Maximum Material Inlet Pressure	10 p.s.i.g. (0.69 bar)
Fluid Pressure Range	10 - 200 p.s.i.g. (0 - 13.8 bar)
Maximum Flow Rate	150 p.s.i.g. (567.8 bar)
flooded inlet	160 p.s.i.g. (605.6 bar)
Displacement / Cycle @ 100 p.s.i.	1.4 gal. (5.3 lit.)
Maximum Particle Size	3/8" (9.5 mm)
Maximum Temperature Limits (diaphragm / ball / seal material)	
E.P.R. / EPDM	-60° to 280° F (-51° to 138° C)
Hytrel®	-20° to 150° F (-29° to 66° C)
Nitrile	10° to 180° F (-12° to 82° C)
Polypropylene	35° to 150° F (2° to 66° C)
Santoprene®	-40° to 225° F (-40° to 107° C)
PTFE	40° to 225° F (4° to 107° C)
Viton®	-40° to 350° F (-40° to 177° C)
Noise Level @ 70 p.s.i. - 50 c.p.m.	① . 83.0 db(A)②

① Tested with 67263 muffler assembly installed.
② The pump sound pressure level has been updated to an Equivalent Continuous Sound Level (LAeq) to meet the intent of ANSI S1.13-1971, CAGI-PNEUROP S5.1 using four microphone locations.

INGERSOLL RAND COMPANY LTD

209 NORTH MAIN STREET - BRYAN, OHIO 43506

☎ (800) 495-0276 • FAX (800) 892-6276

© 2010

CCN 15318843

www.ingersollrandproducts.com

ARO

IR Ingersoll Rand
Industrial Technologies

PERFORMANCE CURVES

PH30F-XSS-SXX-C 3", METALLIC DIAPHRAGM PUMP

