



PCM Delasco



DELASCO Series

Peristaltic pumps for corrosive,
abrasive and fragile products
DL, DSC, Z, PMA

- > Simplified maintenance
- > Low Life Cycle Costs
- > Only one wearing part



PCM

Keep it
moving

Peristaltic pumps

High and low pressure pumps

The ideal choice to reduce your maintenance costs.

The PCM Delasco range offers a large choice of low pressure and high pressure peristaltic pumps.

↳ The Peristaltic Principle

The peristaltic pumping principle is based on the capacity of a soft elastomer hose to accept a deformation and subsequently recover its initial shape.

↳ Technical advantages

■ Only one wearing part: the hose.

It also is the only part in contact with the pumped product

■ Seal-less design

■ Self-priming

Self-priming is automatic on start-up and does not require any special equipment. A flooded suction is required for viscous products only.

■ Reversibility

The symmetric design of the pump makes it perfectly reversible by acting simply on the direction of rotation.

■ Dry running

Occasional dry running is possible without damage occurring.

■ Corrosive products

Only the pump hose is in contact with the fluid. This eliminates all the corrosion problems associated with acidic (hydrochloric sulfuric, nitric..) or basic (detergents sodium hydroxide or hypochlorite) products.

■ Abrasive products

The elastomer hose resists better to abrasion than a metallic surface. The low running speed further reduces the abrasion caused by slurries.

■ Delicate products

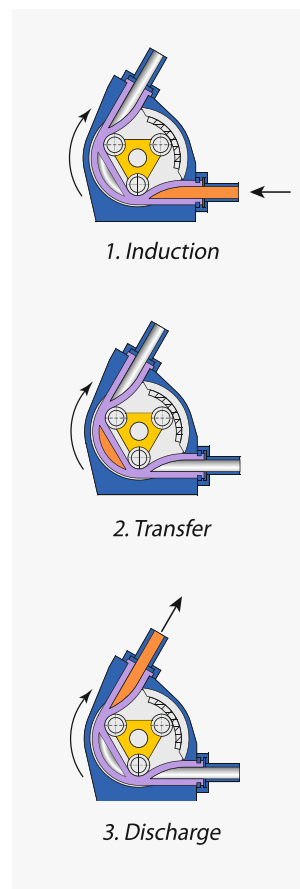
Transfer is carried out inside the pump tube without agitating or frothing the product. This characteristic coupled with the low running speeds is essential for delicate products or emulsions (latex...).

■ Dry-matter

Dry-matter concentration can be up to 60% depending on the fluid density.

■ Solid Particles

The maximum size allowed for solid particles is a 1/3 of the hose bore diameter. Soft particles (fruit, meat, fish...) can be the same size as that of the diameter of the hose.

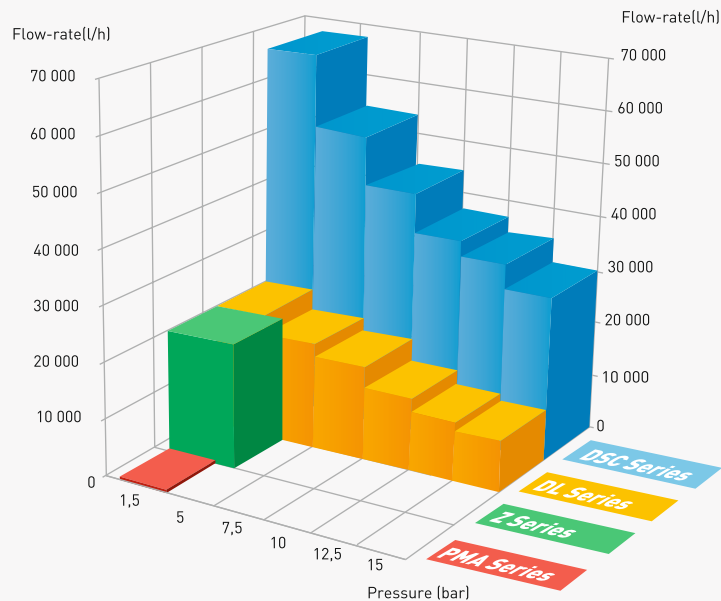


↳ Reduced LCC

The Life cycle costs have been optimized at every stage of the pump life: from its conception, operational time, and maintenance duties.

The PCM DELASCO range

With various pump constructions and a wide choice of elastomer hoses, the PCM Delasco range allows to cover a wide variety of applications calling for heavy-duty and flexibility.



DL Series

The pump with the reinforced hose for high pressures.
Flow-rate: up to 20 m³/h
Pressure: up to 15 bar.



DSC Series

The pump with the reinforced hose for high pressures.
Flow-rate: up to 65 m³/h
Pressure: up to 15 bar.



Z Series

The peristaltic pump for low pressures.
Flow-rate: up to 20 m³/h
Pressure: up to 3 bar.



PMA Series

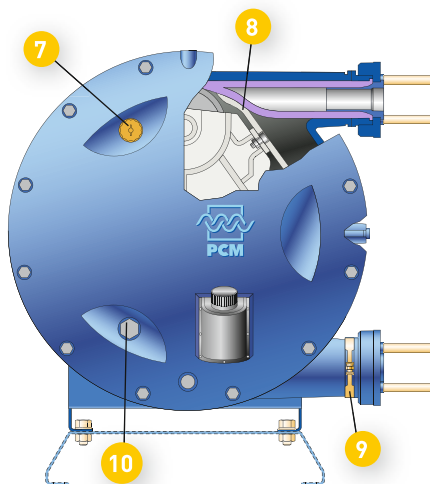
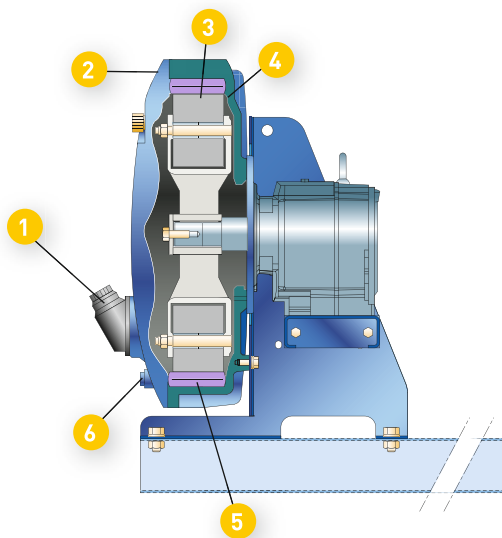
Special low flow-rate pump.
Flow-rate: up to 200 l/h
Pressure: up to 1.5 bar.

Accessories

Hose-leak detector, Pulsation damping chamber, Vacuum pumping, Trolleys.

DL Series

THE PERFECT COMBINATION OF ROLLERS AND HOSE GUIDES



■ Characteristics

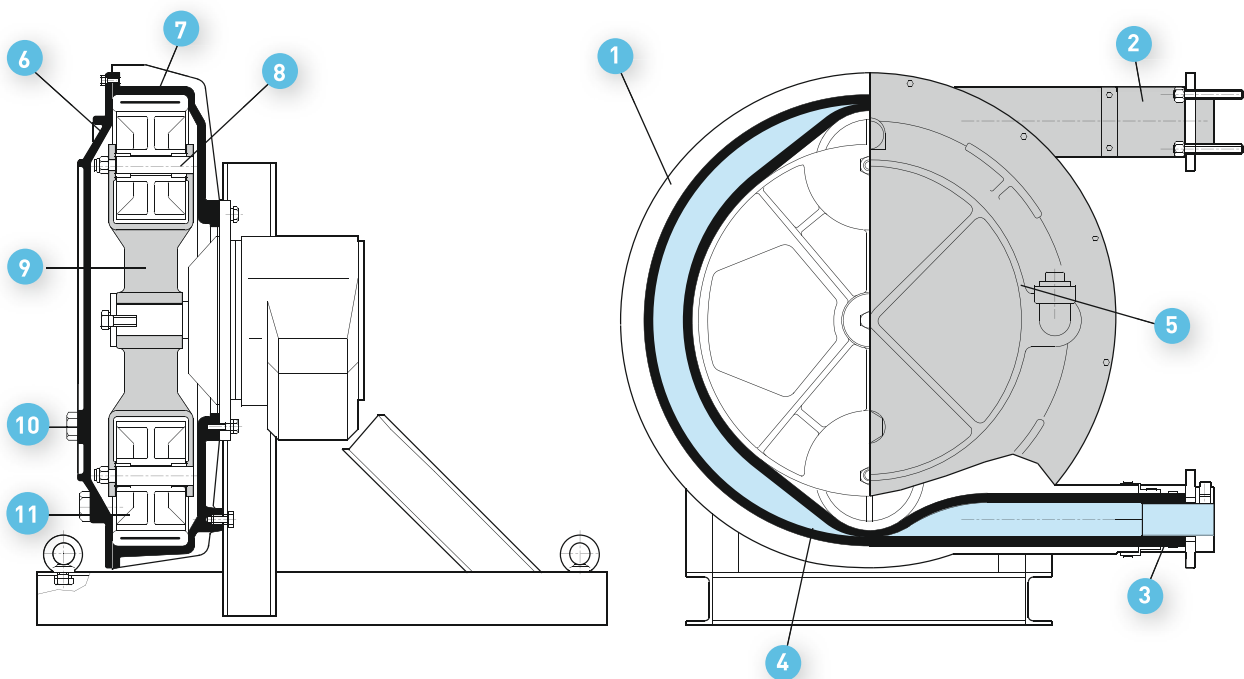
- Minimum flow-rate: 44 l/h
- Maximum flow-rate: 20 m³/h
- Maximum pressure: 15 bar
- Maximum temperature in continuous operation: 110 °C
- Self-priming: 9 mCE
- Density higher than 2
- Maximum viscosity: 40 000 cP

■ Construction

- 1- **Oil filling port.** Technopolymer. Easier filling, avoids splashing. Can also be used as an inspection port. Also used as a vacuum pumping port for DL series.
- 2- **Cover.** FGL 250 cast iron. Simplified servicing and handling; the cover has a lifting ring.
- 3- **Roller.** FGL 250 cast iron. The roller is mounted on a self-lubricating ring of composite material. This assembly ensures that the roller will turn freely throughout the pump's working life. 3 roller sizes depending on the pressure which in turn increases hose life expectancy.
- 4- **Leak-tight, oil-filled housing.** FGL 250 cast iron. Permanently lubricates the hose, and disperses the heat generated by friction against the hose. Design minimises the volume of oil and therefore reduces LCC.
- 5- **Hose.** NR EPDM and NBR rubber. Performs transfer or dosing up to 15 bar while limiting the discharge flow-rate.
- 6- **Lubricant drain plug.**
- 7- **Relief-valve plug.** Technopolymer. Overpressure safety inside pump housing.
- 8- **Steel hose-guide.** E 24 steel. This design increases the squeezed surface area of the hose, so lengthening hose working life.
- 9- **Clamped collar.** Zinc or stainless steel. Clamp type, ensures perfect leak-tightness while facilitating rapid removal.
- 10- **Oil-level sight glass.** Technopolymer. Magnifying effect, for easy oil-level checking.

DSC Series

HIGH PRESSURE AND HIGH FLOW RATE



■ Construction

- 1- Hose: Rubber NR, EPDM, NBR.
- 2- Flange: Stainless steel.
- 3- Insert: Stainless steel (304L) or Polypropylene insert or Insert steel (A37).
- 4- Rollers: FGL 250 cast iron.
- 5- Lubricant filling.
- 6- Cover: FGL 250 cast iron.
- 7- Stator: FGL 250 cast iron.
- 8- Roller axis.
- 9- Rotor: FGL 250 cast iron.
- 10- Lubricant level.
- 11- Lubricant drain plug.

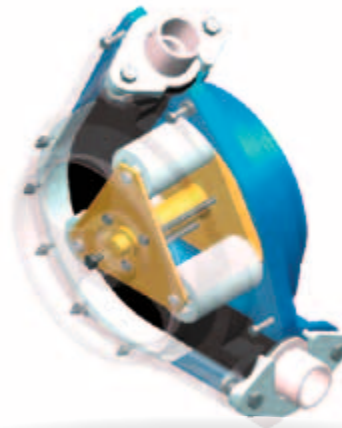
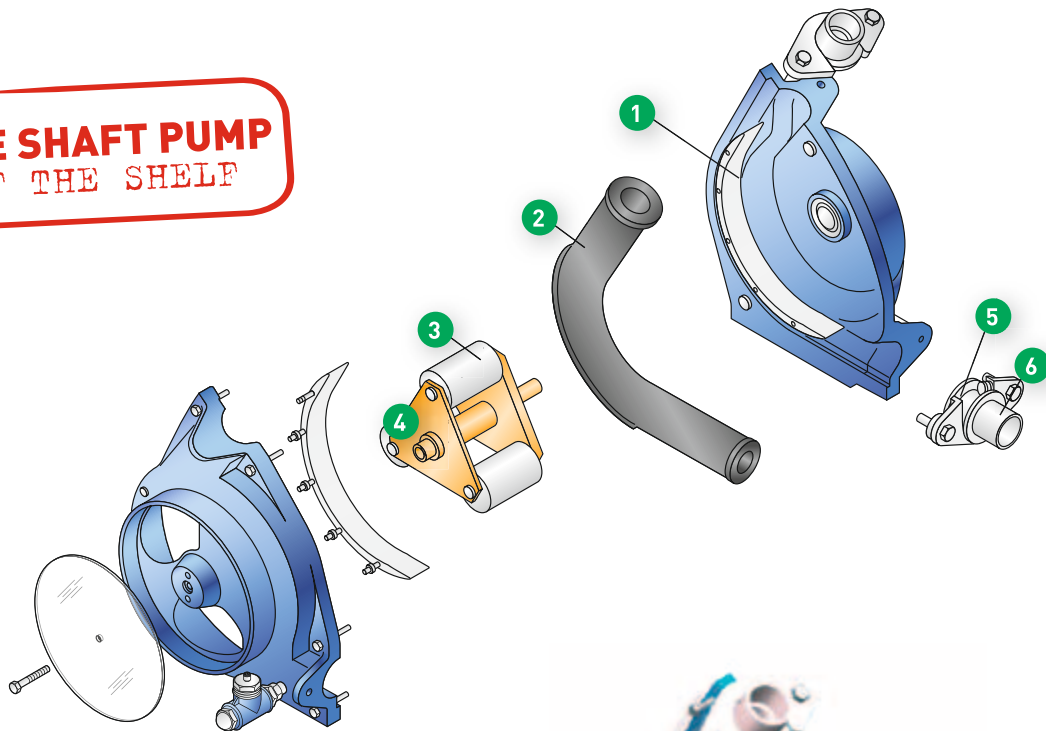
■ Characteristics

- Minimum flow-rate: 3,1 m³/h
- Maximum flow-rate: 65 m³/h
- Maximum pressure: 15 bar
- Maximum temperature: 110°C
- Self-priming: 9 mCE
- Density higher than 2
- Maximum viscosity: 40 000 cP

Z Series

REDUCE YOUR MAINTENANCE COSTS

**BARE SHAFT PUMP
OFF THE SHELF**



■ Construction

- 1- Stator.
- 2- Hose. A large selection of materials for a wide range of applications. Depending on the pump size. Polychloroprene (CR). Chlorosulfonated polyethylene (CSM). Ethylene-Propylene-Diene-Monomer (EPDM). Natural rubber (NR). Silicone (SIL). Thermoplastic (TPA).
- 3- Roller.
- 4- Rotor.
- 5- Counterflange.
- 6- Connecting sleeve.

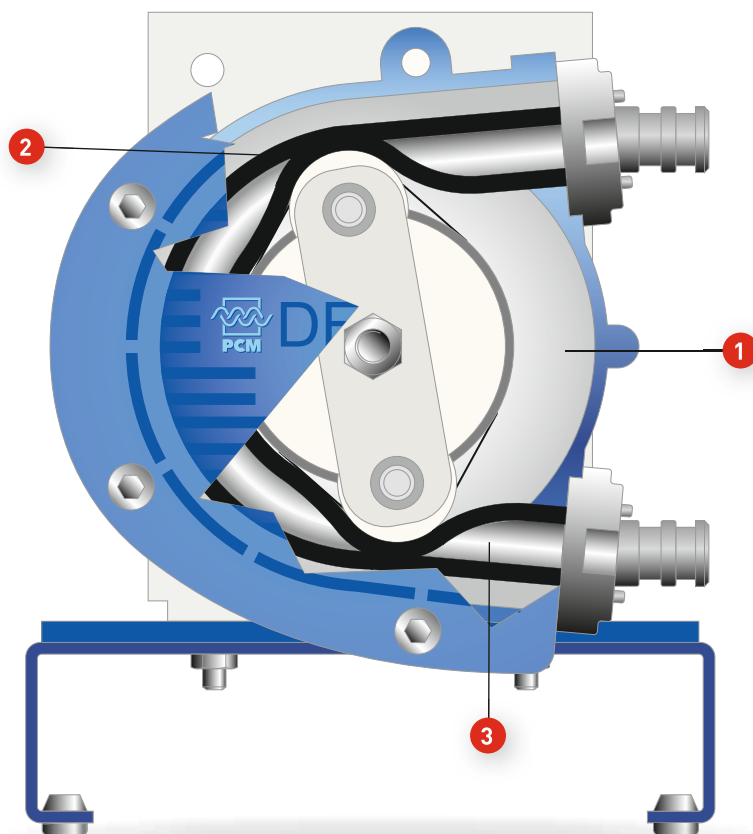
■ Characteristics

- Density: 1,8 max
- Minimum flow-rate: 40 l/h
- Maximum flow-rate: 20 m³ /h
- Maximum pressure: 3 bar
- Maximum temperature: 120 °C
- Self-priming: 5 mCE
- Maximum viscosity: 15 000 cP

PMA Series

THE RIGHT SOLUTION FOR DOSING AND TRANSFERRING

**BARE SHAFT PUMP
OFF THE SHELF**



■ Construction

- 1- Plastic Stator (PFV) for a better resistance to corrosion.
- 2- Hose. Neoprene and thermoplastic.
- 3- Flexible hose, easy to change.

■ Characteristics

- Minimum flow-rate: 14 l/h
- Maximum flow-rate: 200 l/h
- Maximum pressure: 1,5 bar
- Maximum temperature: 120°C
- Self-priming: maximum 5 mCE
- Density higher than 2
- Maximum viscosity: 1800 cP

↘ Industries and applications



Environment

Liquid sludges, lime milk, polymer, ferric chloride, scums, greases.



Mechanical Engineering

Oil water mixtures, laminoire wastes, cutting oil, engine lubricants, engine lubricant wastes, latex.



Chemicals

Glues, paints, varnishes, polymer, flue gas desulphurization, fiber production, colloidal silica, detergents.



New Energies

Oil, biodiesel, musts, vinasses, coal water mixtures, uranium pulps.



Minerals

Mineral slurries, explosive preparation, polymer, pulp, grouts, mortars, refuse derived fuels, chrome VI reduction, coloring agent, sludge, liquid enamel transfer, shotcrete preparation.



Food

Slaughterhouse wastes, cheeses, fruits purée, syrups, dressings, creams.



Paper

Mineral slurries (kaolin, talc, bentonite, calcium carbonate, titanium dioxide), binders (starch, casein, AKD, PVA, CMC, latex), additives (retention agents, dispersants, optical brighteners), coating color, polymer.



Oil and gas

Drilling mud.